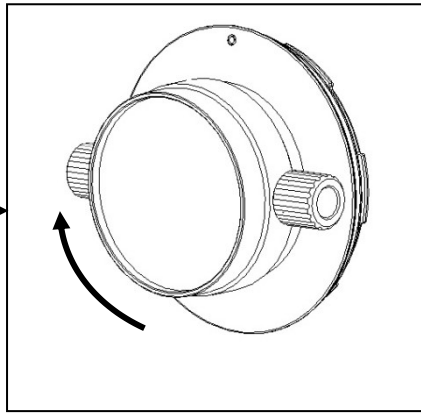
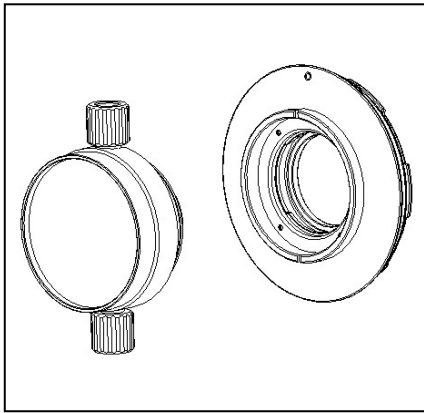
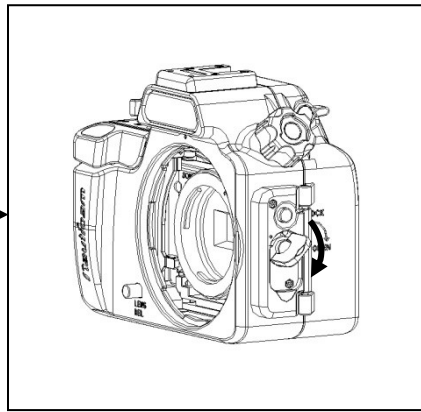
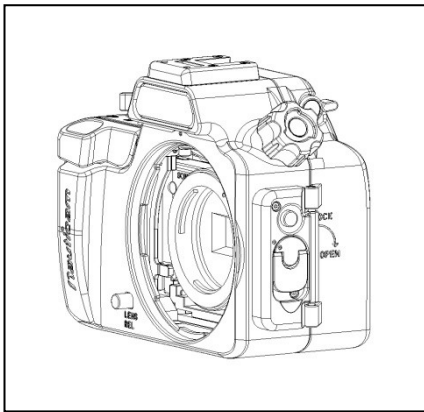


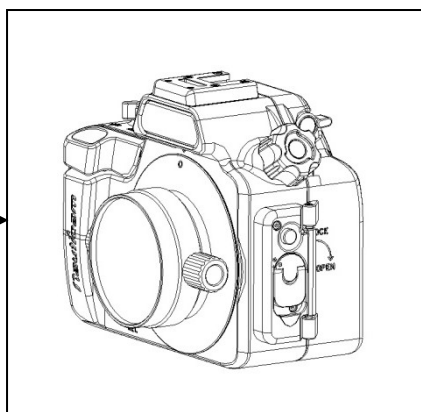
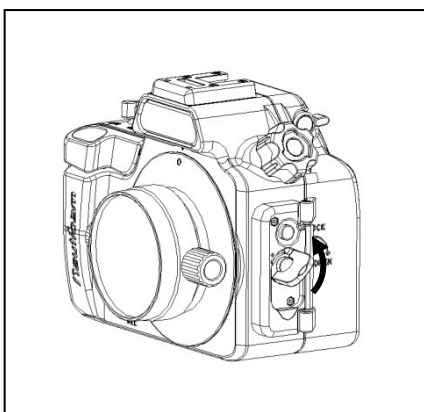
## Nikonos to NEX adaptor



2. Align the focus knob of the Nikonos lens with the index mark on the adaptor before gently pushing it into the adaptor until it cannot go in any further.
3. Turn the Nikonos lens clockwise for 90°.



1. Lift the port lock/release latch of the housing and turn it clockwise for 135° while pressing down the port lock/release safety button, until the circle mark on the latch aligns with the open index on the rear housing.



5. Align the circle indices of the adaptor and the housing, then gently push the port into the port opening of the housing, until it cannot go in any further.

4. Turn the port lock/release latch anticlockwise for 135° to the “lock” position.